

Dual Axis Deflection Unit

OVERVIEW

The **sercalo** magnetic deflection units are used for optical beam steering and scanning. The 2-D mirror has a reflective surface up to 3.2 x 4.2 mm.

Using magnetic actuation, the deflection angle is set linearly with the driving current. The mirror is designed for DC operation as well as scanning.

FEATURES

- 2 actuation Axes
- Up to $\pm 5^\circ$
- Linear control

APPLICATIONS

- 2D Static and dynamic Optical Beam Steering
- 2D Optical Scanner Device

ORDERING INFORMATION

MM-2536-2-AU	2.5x3.6mm Gold surface finish
MM-2536-2-AL	2.5x3.6mm Aluminum surface finish
MM-3242-2-AU	3.2x4.2mm Gold surface finish
MM-3242-2-AL	3.2x4.2mm Aluminum surface finish

Contact:

Sercalo microtechnology ltd
Landstrasse 151, 9494 Schaan
Principality of Liechtenstein
Tel. +423 237 57 97
Fax. +423 237 57 48
www.sercalo.com
e-mail: info@sercalo.com

TECHNICAL SPECIFICATIONS

	Unit	Min	Typ	Max
Max actuation Current	<i>mA</i>			130
Max actuation Power	<i>mW</i>			150
Surface finish	-		Gold or Aluminum	
Reflectivity (800-2000 nm)	%	95		
Mirror Size :	<i>mm²</i>		2.5 x 3.6 3.2 x 4.2	
Mirror Flatness (ROC)	<i>m</i>	10		
Tilt Angle DC (mechanical)	<i>deg</i>	± 4		± 5
Resonance Frequency	<i>Hz</i>	150		
Half Field of View	<i>deg</i>			45
Operating Temperature	°C	-5		85
Storage Temperature	°C	-40		85

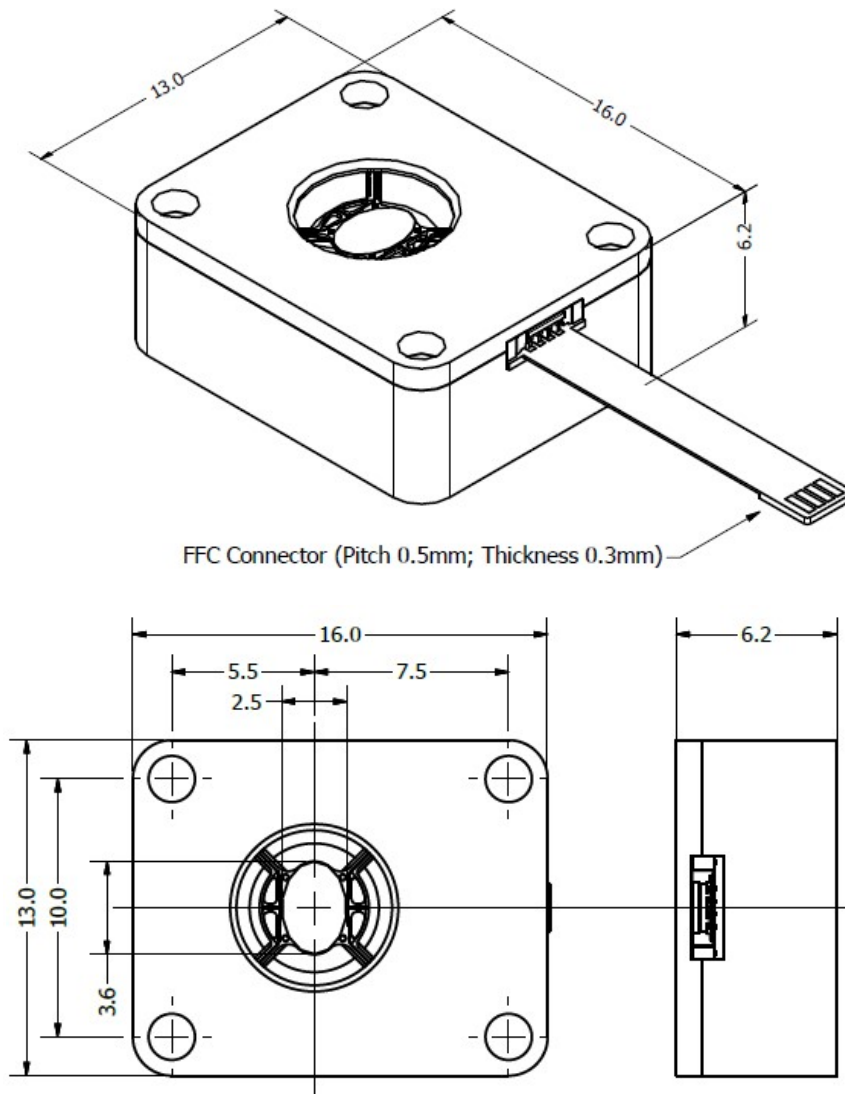


Figure 1: Mechanical layout for MM2536 Deflection Unit. (Units = [mm])